

PRODUCT INFORMATION PACKET

Model No: 048A11T2013
Catalog No: X416
1/2,1075,TENV,48Y,1/60/208-230
Condenser Fans



Regal and Marathon are trademarks of Regal Beloit Corporation or one of its affiliated companies.
©2018 Regal Beloit Corporation, All Rights Reserved. MC017097E



Nameplate Specifications

Output HP	0.50 Hp	Output KW	0.37 kW
Frequency	60 Hz	Voltage	208-230 V
Current	4.2 A	Speed	1075 rpm
Service Factor	1	Phase	1
Efficiency	67 %	Duty	Continuous
Insulation Class	B	Design Code	NO DESIGN CODE
KVA Code	D	Frame	48Y
Enclosure	Totally Enclosed Air Over	Overload Protector	Auto Lock Rotor Only
Ambient Temperature	40 °C	Drive End Bearing Size	6203
Opp Drive End Bearing Size	6203	UL	Recognized
CSA	Y	CE	N
IP Code	43		

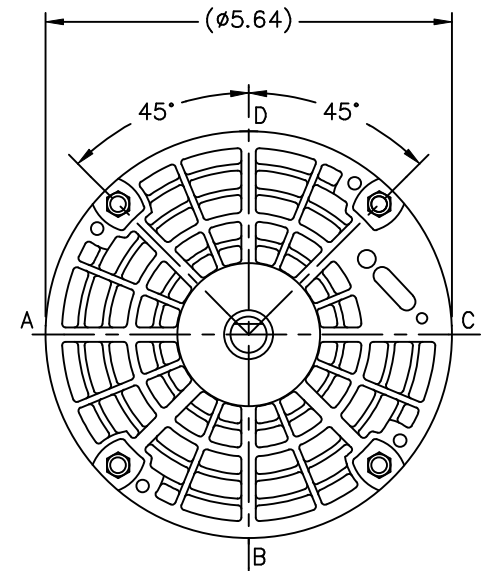
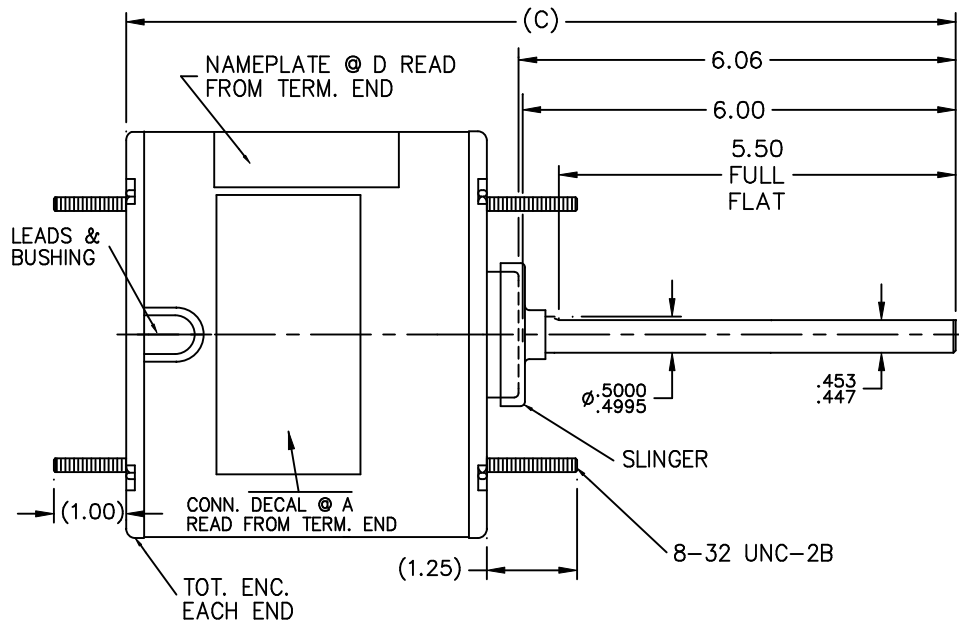
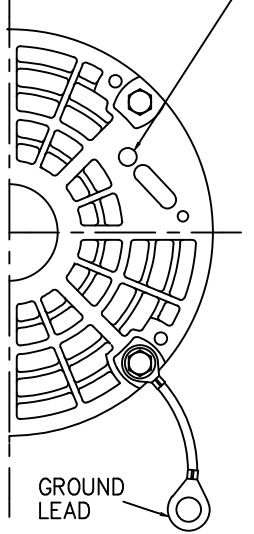
Technical Specifications

Electrical Type	Permanent Split Capacitor	Starting Method	Across The Line
Poles	6	Rotation	Selective Counterclockwise
Mounting	Round - Extended Studs	Motor Orientation	Horizontal
Drive End Bearing	Ball	Opp Drive End Bearing	Ball
Frame Material	Rolled Steel	Shaft Type	Single Special Extension
Overall Length	12 in	Frame Length	5.00 in
Shaft Diameter	0.500 in	Shaft Extension	6.06 in
Assembly/Box Mounting	F1 Only		
Outline Drawing	A-SS74409-500	Connection Diagram	6906494

This is an uncontrolled document once printed or downloaded and is subject to change without notice. Date Created: 06/29/2018

TERM. END

.185 DIA. DRAIN HOLES WITH PLUGS EACH END



LEAD DESCRIPTION::

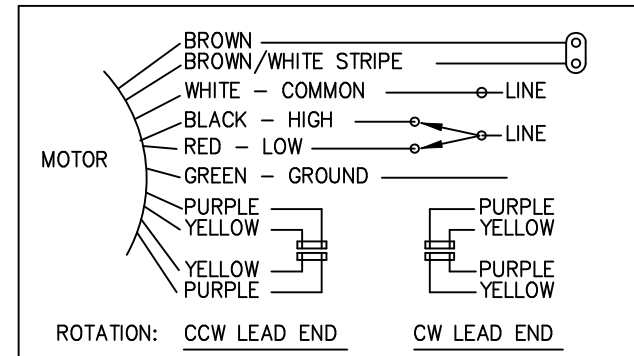
1 WHITE, 1 BLACK, 1 RED 30.00" LONG WITH .50 B.W.S.

1 BROWN & 1 BROWN/WHITE 30.00" LONG WITH .25 FLAG TYPE QUICK CONNECT

1 GREEN GROUND LEAD 12.00" LONG WITH TERM FOR #10 SCREW

PURPLE & YELLOW REVERSING LEADS ARE MOLDED INTO MATING PULL APART PLUGS 5.00" LONG

DASH	FR	C
350	48Y	10.50
400	48Y	11.00
450	48Y	11.50
500	48Y	12.00



NO.	REVISION	BY & DATE	CHK	TOLERANCES UNLESS SPECIFIED	
				DEC.	INCHES
				.X	±.1
7	REVISED STUD BOLT EXTENSIONS CN 23219	BLR 01-27-1997		.XX	±.03
6	SHORTENED LEAD LENGTHS CN 21147	BLR 09-14-1995		.XXX	±.005
5	REDRAWN 3752442	RM 11-07-1990		.XXXX	±.0005
				ANG	±7'30"

MARATHON ELECTRIC

TITLE OUTLINE

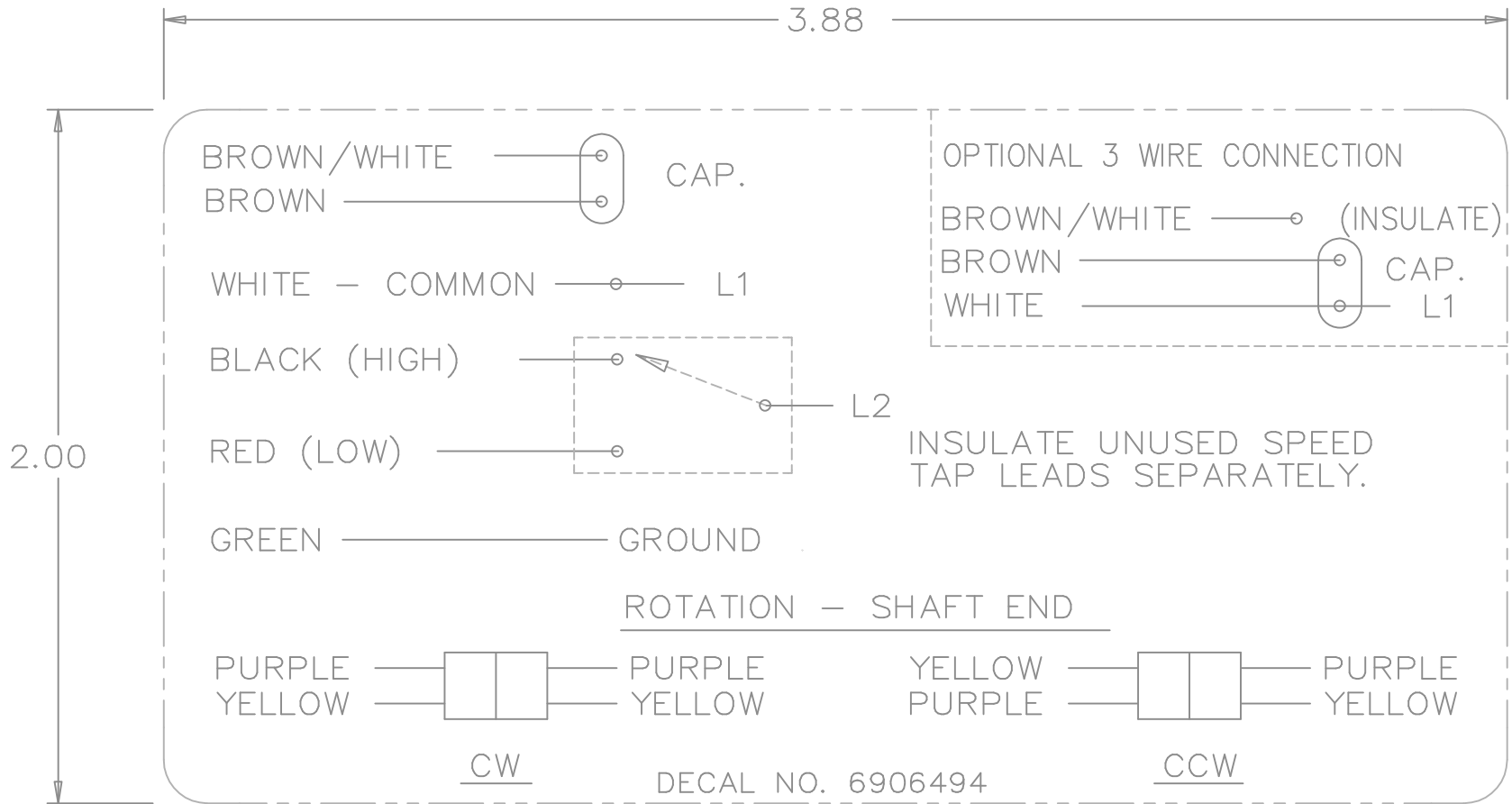
MAT'L.

FINISH

DRAWN	RM 11-07-1990
CHK	ML 11-09-1990
APPD	MJB 11-13-1990
SCALE	3=8
REF	
FMF	
PREV	

THIS DRAWING IN DESIGN AND DETAIL IS OUR PROPERTY AND MUST NOT BE USED EXCEPT IN CONNECTION WITH OUR WORK ALL RIGHTS OF DESIGN AND INVENTION ARE RESERVED THIS IS AN ELECTRONICALLY GENERATED DOCUMENT - DO NOT SCALE THIS PRINT

RFP	CAD FILE	ss74409	SIZE	DRAWING NO.	PAGE	OF	REV.
DIST	WP		A	SS74409			7



				TOLERANCES UNLESS SPECIFIED		REGAL-BELOIT <i>Motor Technologies</i>	DRAWN MRB 04-16-1998			
				DEC.	INCHES		CHK	ML	04-22-1998	
				.X	±.1		APPD	GK	04-22-1998	
3	REMOVED 'MARATHON ELECTRIC' CN 35106	DRS 05-01-2002	TOM	.XX	±.02	TITLE CONNECTION DECAL	SCALE	1=1		
2	PART NAME WAS CONNECTION DIAGRAM CN 25669	MRB 04-23-1998		.XXX	±.005		REF			
1	NEW DRAWING CN 25669	MRB 04-22-1998		.XXXX	±.0005	MAT'L.	FMF			
NO.	REVISION	BY & DATE	CHK	ANG	±'	FINISH	PREV			
			RFP			CAD FILE 6906494	SIZE	DRAWING NO.	PAGE OF	REV.
			DIST	WP			A	6906494	3	3

THIS DRAWING IN DESIGN AND DETAIL IS OUR PROPERTY AND MUST NOT BE USED EXCEPT IN CONNECTION WITH OUR WORK ALL RIGHTS OF DESIGN AND INVENTION ARE RESERVED THIS IS AN ELECTRONICALLY GENERATED DOCUMENT - DO NOT SCALE THIS PRINT

